

Technical Product Report

Assembled V38 System

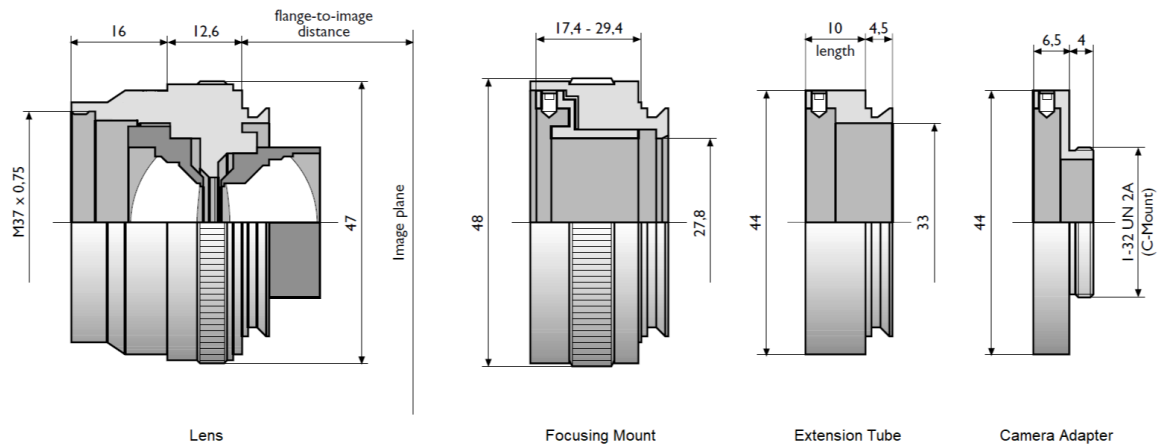
APRIL 2022



The V38-Mount System

The compact and robust V38-Mount System, consisting of Schneider-Kreuznach lenses in a special iris mount, focusing mounts, extension tubes and camera adapters. It is the best choice for larger image circles and flexible flange-to-image distances. The system can be adapted on many different cameras for industrial and scientific applications. For assembly in reverse position special adapters are available which can be screwed into the filter thread of the lens.

The V38-Mount System provides a uniform interface with three lock-screws that engage into a groove. This guarantees a stable and durable connection and makes it possible to use multiple combinations of the individual components.



The Components

V38 Lenses

The V38 lenses have a compact and robust metal mount with precise iris adjustment and locking mechanism as well as a filter thread.

With a special adapter the lenses can even be reversed for magnifying images. The lenses are available with focal lengths from 28 mm to 120 mm and cover sensor diagonals from 30 mm up to 90 mm depending on the focal length.

Their optical performance is optimized for typical working distances at machine vision applications.

Focusing Mounts

The V38 lenses have no built-in focusing mechanism. Therefore a separate focusing mount is needed.

Schneider-Kreuznach is offering four focusing mounts: UNIFOC 12 V38/V38 17.4-29.4mm, UNIFOC 7 V38/V38 20-27mm, UNIFOC 7 V38/M58x0.75 20-27mm and UNIFOC 5 V38/C 19.2-24.2mm.

Extension Tubes

The V38 lenses have no fixed back focal lengths and also cameras differ in their flange-to-image distances. Therefore the extension length of the lenses must be adapted individually to the current imaging task. This is done by extension tubes, which can be combined in different lengths. They are installed between the lens and the camera.

Six extension tubes are available, from 6 mm to 75 mm.

Camera Adapters

Special camera adapters are available that connect the V38-Mount System interface to a variety of camera mounts.

Types and extensions are shown below.

Build your System



System Components

LENSES

	ID
PYRITE 2.8/28 V38	1097781
PYRITE 2.8/35 V38	1097782
PYRITE 2.8/40 V38	1097232
PYRITE 4.0/45 V38	1097783
PYRITE 2.8/50 V38	1097301
PYRITE 4.0/60 V38	1097302
PYRITE 4.0/80 V38	1097276
PYRITE 5.6/80/1.0x V38	1097785
PYRITE 4.5/90 V38	1097789
PYRITE 5.6/100 V38	1097303
PYRITE 4.5/90/0.3x V38	1097784
PYRITE 5.6/120/1.0x V38	1097277
PYRITE 5.6/120/0.75x V38	1097786
PYRITE 5.6/120/0.5x V38	1097787
PYRITE 5.6/120/0.33x V38	1097788

FOCUSING MOUNTS

	ID	MOUNT	LENGTH
UNIFOC 7 V38/V38 20-27mm	1001041	V38/V38	20-27 mm
UNIFOC 7 V38/M58x0.75 20-27mm	1054532	V38/M58x0.75	20-27 mm
UNIFOC 12 V38/V38 17.4-29.4mm	11726	V38/V38	17.4-29.4 mm
UNIFOC 5 V38/C 19.2-24.2mm	1011634	V38/C-Mount	19.2-24.2mm

EXTENSION TUBES

	ID	MOUNT	LENGTH
EXTENSION TUBE V38/V38 6mm	20176	V38/V38	6 mm
EXTENSION TUBE V38/V38 8mm	20177	V38/V38	8 mm
EXTENSION TUBE V38/V38 10mm	20178	V38/V38	10 mm
EXTENSION TUBE V38/V38 25mm	20179	V38/V38	25 mm
EXTENSION TUBE V38/V38 50mm	20154	V38/V38	50 mm
EXTENSION TUBE V38/V38 75mm	20155	V38/V38	75 mm

ADAPTERS

	ID	MOUNT
ADAPTER V38/C 6.5mm	20052	V38/C-Mount
ADAPTER V38/TFL 6.5mm	1098491	V38/TFL-Mount
ADAPTER V38/L 6.5mm	20054	V38/Leica
ADAPTER V38/M42x0.75 6.5mm	20053	V38/M42x0.75
ADAPTER V38/M42x1 6.5mm	20059	V38/M42x1
ADAPTER V38/M42x1 35mm	1001692	V38/M42x1
ADAPTER V38/M58x0.75 10mm	1018385	V38/M58x0.75
ADAPTER V38/F 9.3mm	21610	V38/F-Mount
ADAPTER V38/M37x0.75 3.5mm	1100587	V38/M37x0.75
ADAPTER V38/M40.5x0.5 3.5mm	1100588	V38/M40.5x0.5