

## Mini Module PLC Splitter

Auxora's optical power splitter is a component that splits the optical power from one optical route into a few different routes according to a certain allocation ratio. The Splitter product family provides PLC splitters from 1x4 to 1x64 and 2x4 to 2x32 with high performance and high reliability.



### FEATURES

- Low excess loss
- Good channel uniformity
- Compact design
- High stable & reliable
- Telcordia GR-1221 and GR1209 compliant

### APPLICATIONS

- FTTH system
- PON network
- CATV Systems
- Communication equipment

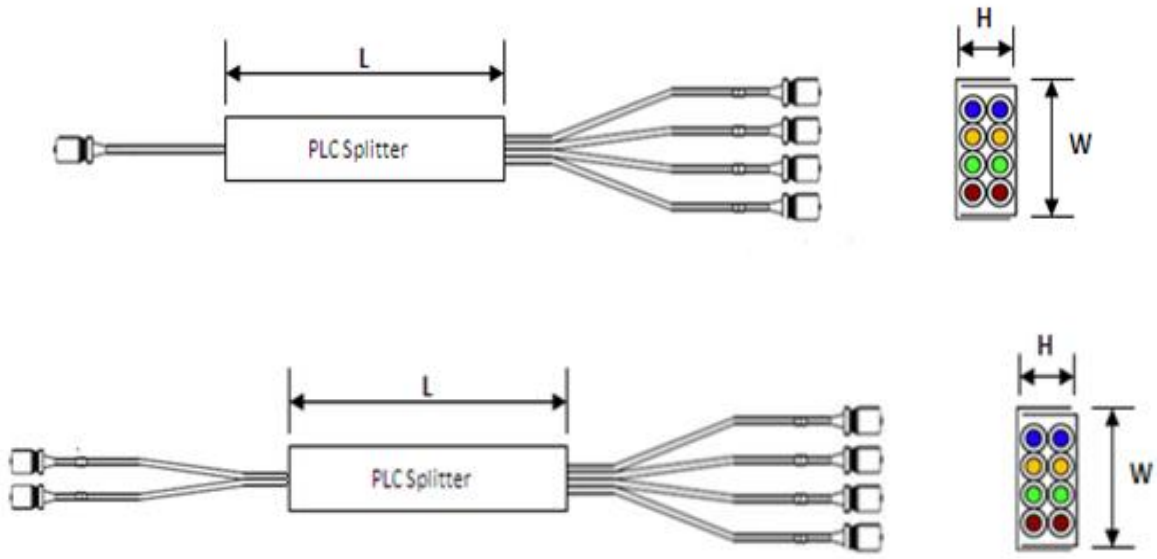
### SPECIFICATIONS

Operating Wavelength (nm)		1260~1650					
Fiber Type		G657A1 or customer specified					
Port Configuration		1×2	1×4	1×8	1×16	1×32	1×64
Insertion Loss (dB) (P/A Grade)	Max	3.8/4.0	7.1/7.3	10.2/10.5	13.5/13.7	16.5/16.9	20.5/21.0
Loss Uniformity (dB)	Max	0.5	0.7	0.8	1.2	1.5	2.0
Polarization Dependent Loss(dB)	Max	0.2	0.2	0.2	0.25	0.3	0.4
Return Loss (dB)	Min	55	55	55	55	55	55
Directivity (dB)	Min	55	55	55	55	55	55
Wavelength Dependent Loss(dB)	Max	0.5	0.5	0.5	0.8	0.8	1.0
Temperature Stability(-40~85 °C)(dB)	Max	0.5	0.5	0.5	0.5	0.5	0.5
Device Dimension (mm) (L×W×H)		60×7×4			60×12×4	80×20×6	100×40×6
Port Configuration		2×2	2×4	2×8	2×16	2×32	-
Insertion Loss (dB) (P Grade)	Max	4.2	7.6	10.8	14.0	17.5	-
Loss Uniformity (dB)	Max	0.9	1.0	1.2	1.5	1.8	-
Polarization Dependent Loss(dB)	Max	0.3	0.3	0.3	0.3	0.3	-
Return Loss (dB)	Min	55	55	55	55	55	-
Directivity (dB)	Min	55	55	55	55	55	-
Wavelength Dependent Loss(dB)	Max	0.5	0.5	0.5	0.8	0.8	-
Temperature Stability(-40~85 °C)(dB)	Max	0.5	0.5	0.5	0.5	0.5	-
Device Dimension (mm) (L×W×H)		60×7×4			60×12×4	100×20×6	-

### NOTES:

- 1) All specifications are based on the devices without connectors, and guaranteed over wavelength, polarization and temperature.
- 2) IL is 0.3 dB higher, RL is 5 dB lower for each connector added

**Packing Dimensions(mm)**



**Ordering Information: (e.g.APS-1032MM1P061-1010-55)**

APS-	XXXX	X	XX	X	XX	X	-	XX	XX	-	X	X
Port Configuration	PLC Type	Package Dimension	Grade	Fiber Type	Fiber Jacket	Fiber Length		Connector				
						Input	Output	Input	Output			
1002=1x2	M=Mini Module PLC Splitte	M1=60x7x4	P=P Grade	06=G657.A1	1=900um tube	10=1.0m	10=1.0m	0=None	0=None			
1004=1x4		M2=60x12x4	A=A Grade	07=G657.A2	X=Customized	12=1.2m	12=1.2m	1=FC/UPC	1=FC/UPC			
...		M3=80x20x6		XX=Customized		.....	.....	2=FC/APC	2=FC/APC			
1064=1x64		M4=100x20x6				15=1.5m	15=1.5m	3=SC/UPC	3=SC/UPC			
2002=2x2		M5=100x40x6				NA=N/A	NA=N/A	4=SC/APC	4=SC/APC			
2004=2x4						XX=Customized	XX=Customized	5=LC/UPC	5=LC/UPC			
...								6=LC/APC	6=LC/APC			
2064=2x64								X=Customized	X=Customized			