



USB2.0 Extender via Multi-Mode Fiber LC Simplex Connector Extends USB2.0 Link Up To 200 Meters

Description

APAC CHAU-HS-200-1LC extender is designed to extend USB connection to penetrate the 5 meters cable length limitation published by the USB standard. It enables USB 2.0 long distance communications between USB 2.0 host and device for remote desktop links, industrial control, far-end storage and surveillance applications.

APAC CHAU-HS-200-1LC extender used single fiber without any copper wire inside, where radio frequency interference phenomenon is literally ruled out, which shows the advantage of high performance and good signal quality.



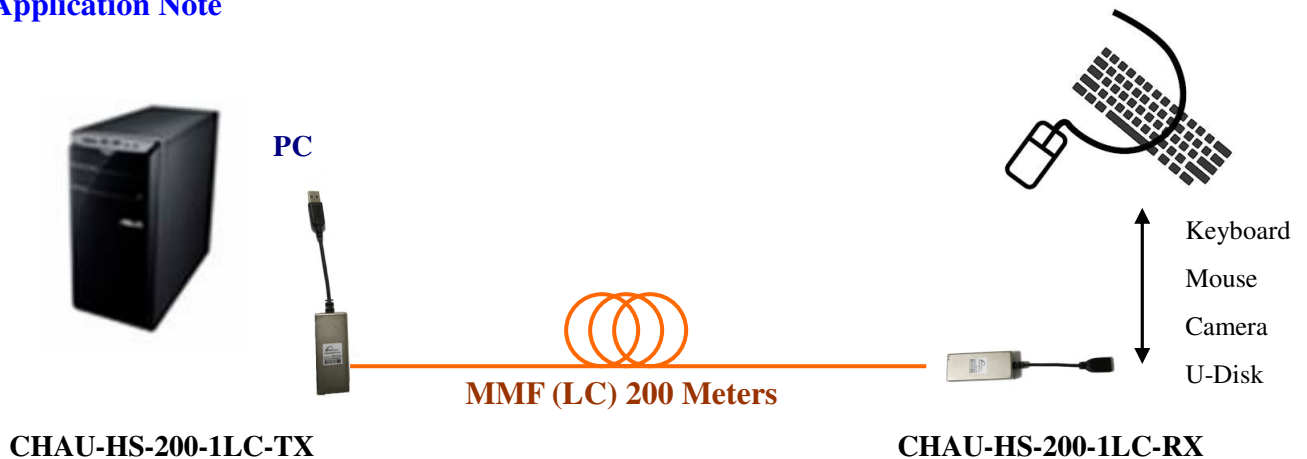
Features

- Long distance USB 2.0 communication (MMF 200 meters)
- External hardware installation, plug and play. No driver or software installation required
- Supports any USB 2.0 device connection

Application

- USB 2.0 HID Device(Keyboard, Mouse...) extension
- USB Pen Drive extension
- USB Camera extension
- USB Control extension (Multi-touch screen)

Application Note





USB2.0 Extender via Multi-Mode Fiber LC Simplex Connector Extends USB2.0 Link Up To 200 Meters

Ordering information

Part Number

CHAU-HS-200-1LC-XX

00: US Plug for AC adaptor

01: EU Plug for AC adaptor

02: BS Plug for AC adaptor

03: AU Plug for AC adaptor

This product does not include optical fiber cable

Package include

- TX box × 1
- RX box × 1
- 5V adaptor × 1

Optional : EU/BS/AU Plug change kit of 5V adaptor

Specification

PARAMETER	SPECIFICATION	NOTE
Max length	200 meters	
Optical connector	LC	
Operating voltage	DC 5V	
Electrical Power consumption	TX: 5V/260mA RX: 5V/380mA	
Operating Temperature	0°C to 70°C	
Storage Temperature	-20°C to 75°C	
Dimension	TX :210 × 34 × 15 RX :195 × 34 × 15	L × W × H (mm)
Weight	TX:95.5g ,RX:95.8g	



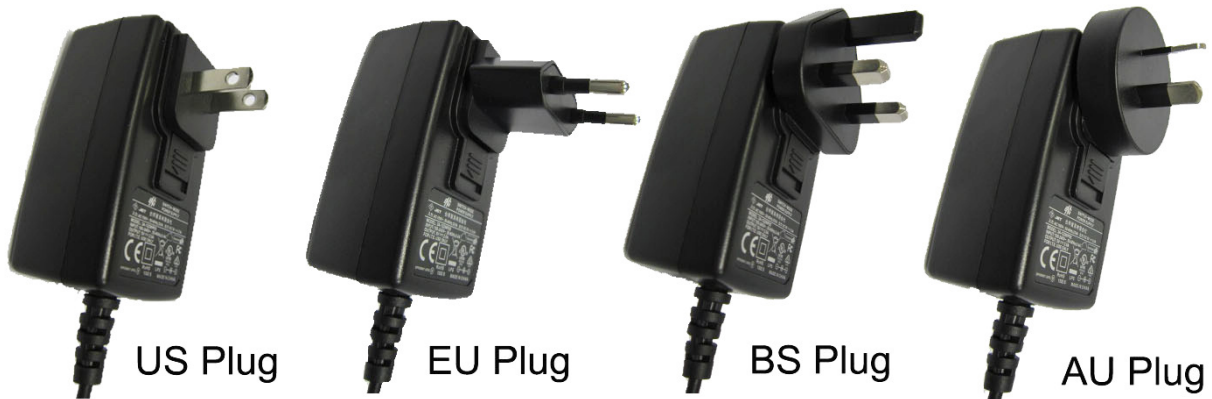
USB2.0 Extender via Multi-Mode Fiber LC Simplex Connector Extends USB2.0 Link Up To 200 Meters

Requirements

- USB2.0 host (PC/NB support USB2.0 interface)
- USB2.0 device (Any USB2.0 device)
- 100~240VAC 50~60Hz 0.2A electricity

Adaptor Specification

PARAMETER	SPECIFICATION	NOTE
Input	100~240VAC	US/EU/BS/AU plug
Output	DC 5V	1.0 A
DC Jack	Inside 5V / Outside ground	





USB2.0 Extender via Multi-Mode Fiber LC Simplex Connector Extends USB2.0 Link Up To 200 Meters

Installation

Step1. Install TX box close to USB host.

Step2. Install RX box close to USB device (keyboard, mouse, U-Disk, USB camera...).

Step3. Connect MMF cable from TX to RX.

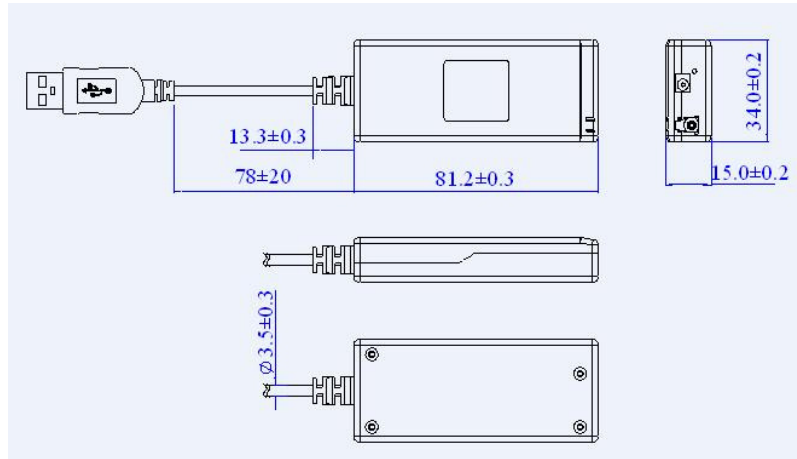
Step4. Connect RX to USB device.

Step5. Apply 5V adaptor to RX .

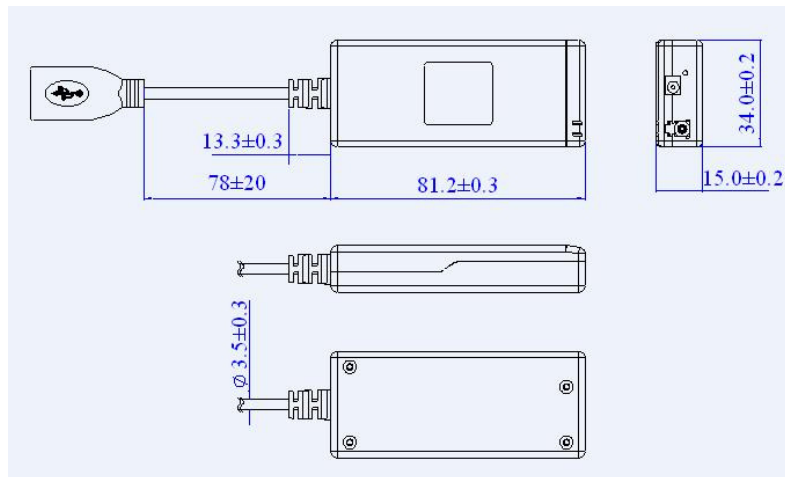
Step6. Connect from PC to TX .

Note 1: Clean fiber connector before plugging in. The dust will impact fiber communication performance.

Dimensions



CHAU-HS-200-1LC-TX



CHAU-HS-200-1LC-RX

All dimensions all in +/- 0.3mm tolerance if no specified

Unit : mm

Safety Regulation

CE and FCC approved.





**USB2.0 Extender via Multi-Mode Fiber
LC Simplex Connector
Extends USB2.0 Link Up To 200 Meters**
