



KVM Extender Via One MPO Fiber MPO Connector

Extends DisplayPort 4K2K@60Hz + USB 2.0 Link Up To 200 Meters



Description

APAC AKVM-DPU2-200-MPO extender uses MPO fiber to enlarge communication distance, this extender can enable transmission of 4K2k@60Hz up to 200 meters, where radio frequency interference phenomenon is literally ruled out, which shows the advantage of high performance and good signal quality as well as low cost.

AKVM-DPU2-200-MPO provides a high quality and uncompressed video transmission, also additional USB2.0 extension between USB host and device is achievable. A built-in 4 ports USB 2.0 hub at remote side to allow more USB device connection.

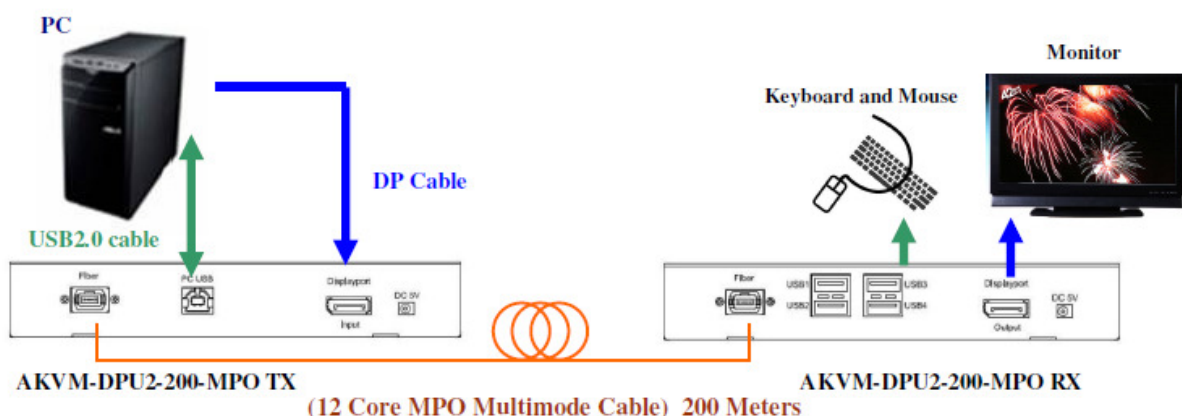
Features

- Long distance DisplayPort and USB 2.0 extension up to 200 meters
- Comply with DisplayPort v1.2 standard for DPCP (DisplayPort Content Protection).
- Supports any USB 2.0 device connection
- External hardware installation, plug and play. No extra driver or software required
- No RF interference by optical fiber cable
- Class 1 laser product complies with EN 60825-1

Application

- Keyboard, video and mouse extension
- Remote monitor for medical, industrial, military control
- Far-end LCD, Projector, Plasma display connection
- Large video wall system

Application Note





KVM Extender Via One MPO Fiber MPO Connector

Extends DisplayPort 4K2K@60Hz + USB 2.0 Link Up To 200 Meters

Ordering information

Part Number

AKVM-DPU2-200-MPO-XX

- 00: US Plug for AC adaptor
- 01: EU Plug for AC adaptor
- 02: BS Plug for AC adaptor
- 03: AU Plug for AC adaptor

This product does not include optical fiber cable

Package include

- TX box × 1
- RX box × 1
- 5V adaptor × 2

Optional : EU/BS/AU Plug change kit of 5V adaptor

Specification

PARAMETER	SPECIFICATION	NOTE
Max length	200M	
Max resolution	3840x2160	
Max video bandwidth	5.4 Gbps per channel	
HDCP compliant	YES	
Optical connector	MPO	
Recommended Fiber	50/125 um MMF	
Optical property	850nm	
Optical Link Power Budget	10dB (min)	
USB interface	TX: USB-B Type * 1 RX: USB-A Type * 4	
Operating voltage	DC 5V	
Electrical Power consumption	TX: 5V/ 413mA RX: 5V/ 751mA	Not contain USB port power consumption
Operating Temperature	-10°C to 50°C	
Storage Temperature	-20°C to 75°C	
Dimension	TX unit : 180 x 119 x 30 RX unit : 180 x 119 x 30	L × W × H (mm)
Weight	600 g	TX or RX

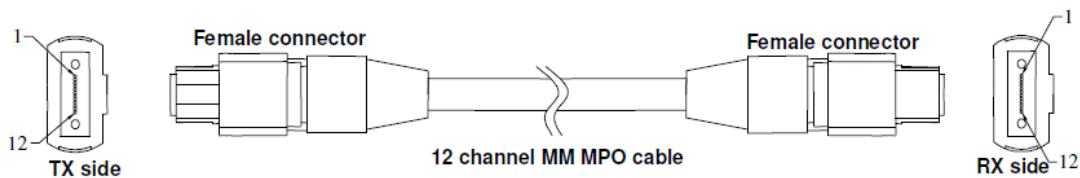
Adaptor Specification

PARAMETER	SPECIFICATION	NOTE
Input	100~240VAC	US/EU/BS/AU plug
Output	DC 5V	3.0 A
DC Jack	Inside 5V / Outside ground	

Requirements

- DisplayPort source and USB2.0 host (PC/NB)
- DisplayPort sink and USB2.0 device (Any USB2.0 device)
- 100~240VAC 50~60Hz 0.2A electricity

MPO Cable Fiber Assignment



DPCP compliant

DPCP (DisplayPort Content Protection) is a copy protection standard. That is created by AMD and uses 128-bit AES encryption. DPCP includes a receiver and a transmitter which can be verified independently. The function can prevent the data to send to the unauthorized users.

Installation

- Step1. Install TX box close to DisplayPort signal source and USB host, such as PC or NB.
- Step2. Install RX box close to DisplayPort sink and USB device, such as DisplayPort monitor or projectors.
- Step3. Connect TX box and RX box through optical fiber cable (MPO).
- Step4. Apply 5V adaptor power to TX box and RX box.
- Step5. Connect DisplayPort cable from TX box to Source.
- Step6. Connect DisplayPort cable from RX box to Sink.

Note 1: Clean fiber connector before plugging in. The dust will impact fiber communication performance.

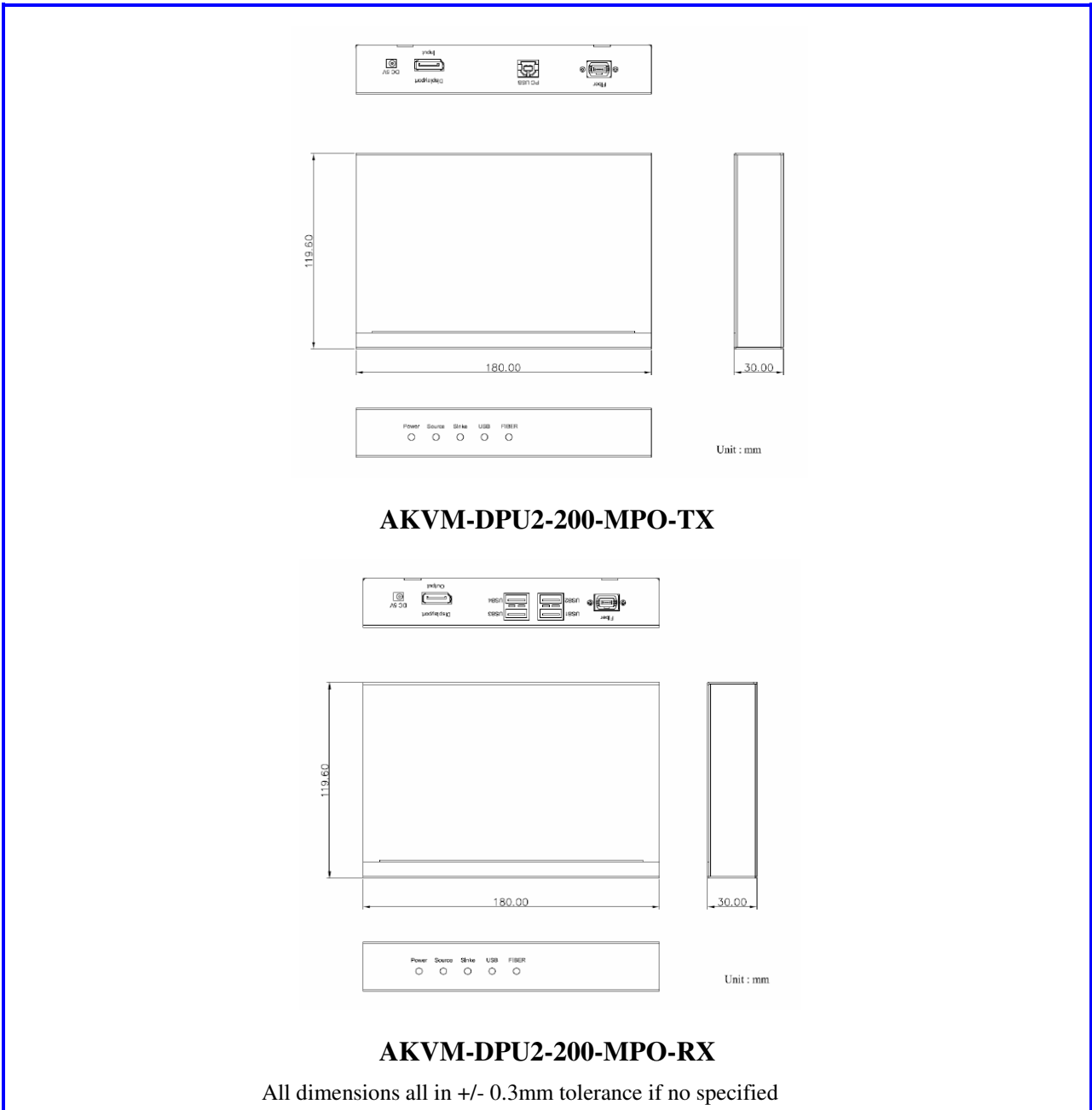
Note 2: The length of DisplayPort cable should be NOT longer than 2 meters.



KVM Extender Via One MPO Fiber MPO Connector

Extends DisplayPort 4K2K@60Hz + USB 2.0 Link Up To 200 Meters

Dimensions



Safety Regulation

CE and FCC approved.

