



RoHS compliant
TX-1310/RX-1550 nm Single-mode Bi-directional (Single-Fiber) Transceiver
2×5 SC Simplex Connector, 3.3V (17dB Margin)
155 Mbps ATM/SONET OC-3/SDH STM-1/Fast Ethernet /
100Base-BX10-U/ITU-T G.985



Features

- Compatible with 155 Mbps ATM and SONET OC-3 SDH STM-1
- Compliant with IEEE802.3ah 100Base-BX
- Compliant with ITU-T G.985 class S
- Industry standard 2×5 footprint
- SC Connector
- Single power supply 3.3 V
- Differential PECL inputs and outputs
- Compatible with solder and aqueous wash processes
- Class 1 laser product complies with EN 60825-1

Ordering Information

PART NUMBER	TX	RX	VOLTAGE	TEMPERATURE
LSE2-A3S-PC-N3	1310 nm	1550 nm	3.3 V	0 °C to 70 °C
LSE2-A3S-PI-N3	1310 nm	1550 nm	3.3 V	-40 °C to 85 °C

Absolute Maximum Ratings

PARAMETER	SYMBOL	MIN	MAX	UNITS	NOTE
Storage Temperature	T_S	-40	85	°C	
Supply Voltage	V_{CC}	-0.5	4.0	V	
Input Voltage	V_{IN}	-0.5	V_{CC}	V	
Output Current	I_o	---	50	mA	
Operating Current	I_{OP}	---	400	mA	
Soldering Temperature	T_{SOLD}	---	260	°C	10 seconds on leads



RoHS compliant
TX-1310/RX-1550 nm Single-mode Bi-directional (Single-Fiber) Transceiver
2×5 SC Simplex Connector, 3.3V (17dB Margin)
155 Mbps ATM/SONET OC-3/SDH STM-1/Fast Ethernet /
100Base-BX10-U/ITU-T G.985

Operating Environment

PARAMETER	SYMBOL	MIN	MAX	UNITS	NOTE
Case Operating Temperature	T_C	0	70	°C	LSE2-A3S-PC-N3
		-40	85		LSE2-A3S-PI-N3
Supply Voltage	V_{CC}	3.0	3.6	V	
Supply Current	$I_{TX} + I_{RX}$	---	200	mA	

Transmitter Electro-optical Characteristics

$V_{CC} = 3.0\text{ V to }3.6\text{ V}, T_C = 0^\circ\text{C to }70^\circ\text{C} (-40^\circ\text{C to }85^\circ\text{C})$

PARAMETER	SYMBOL	MIN	TYP.	MAX	UNITS	NOTE
Data Rate	B	50	155	200	Mb/s	
Output Optical Power 9/125 μm fiber	P_{out}	-14	---	-8	dBm	Average
Extinction Ratio	ER	9	---	---	dB	
Center Wavelength	λ_C	1260	1310	1360	nm	
Spectral Width (RMS)	$\Delta\lambda$	---	---	4	nm	
Rise/Fall Time (10–90%)	$T_{r,f}$	---	1	2	ns	
Output Eye	Compliant with Telcordia GR-253-CORE Issue 3 and ITU-T recommendation G-957					
Transmitter Data Input Voltage-High	$V_{IH} - V_{CC}$	-1.1	---	-0.74	V	Note 1
Transmitter Data Input Voltage-Low	$V_{IL} - V_{CC}$	-2.0	---	-1.58	V	Note 1
Transmitter Data Input Differential Voltage	V_{DIFF}	0.3	---	1.6	V	Note 1

Note 1: These inputs are compatible with 10K, 10KH and 100K ECL and PECL input.



RoHS compliant

TX-1310/RX-1550 nm Single-mode Bi-directional (Single-Fiber) Transceiver

2×5 SC Simplex Connector, 3.3V (17dB Margin)

155 Mbps ATM/SONET OC-3/SDH STM-1/Fast Ethernet /

100Base-BX10-U/ITU-T G.985

Receiver Electro-optical Characteristics

$V_{CC} = 3.0\text{ V to }3.6\text{ V}, T_C = 0^\circ\text{C to }70^\circ\text{C} (-40^\circ\text{C to }85^\circ\text{C})$

PARAMETER	SYMBOL	MIN	TYP.	MAX	UNITS	NOTE
Data Rate	B	50	155	200	Mb/s	
Optical Input Power-maximum	P_{IN}	0	---	---	dBm	Note 1
Optical Input Power-minimum (Sensitivity)	P_{IN}	---	---	-31	dBm	Note 1
Operating Center Wavelength	λ_C	1480	---	1600	nm	
Return Loss	RL	---	---	-14	dB	$\lambda=1480\sim1600\text{nm}$
Signal Detect-Asserted	P_A	---	---	-31	dBm	Average
Signal Detect-Deasserted	P_D	-45	---	---	dBm	Average
Signal Detect-Hysteresis	$P_A - P_D$	1.0	---	---	dB	
Signal Detect Output voltage-High	$V_{OH} - V_{CC}$	-1.1	---	-0.74	V	Note 2
Signal Detect Output voltage-Low	$V_{OL} - V_{CC}$	-2.0	---	-1.58	V	Note 2
Crosstalk	CRT	---	---	-45	dB	
Data Output Rise, Fall Time (10-90%)	$T_{r,f}$	---	1	2	ns	
Data Output Voltage-High	$V_{OH} - V_{CC}$	-1.1	---	-0.74	V	Note 2
Data Output Voltage-Low	$V_{OL} - V_{CC}$	-2.0	---	-1.58	V	Note 2

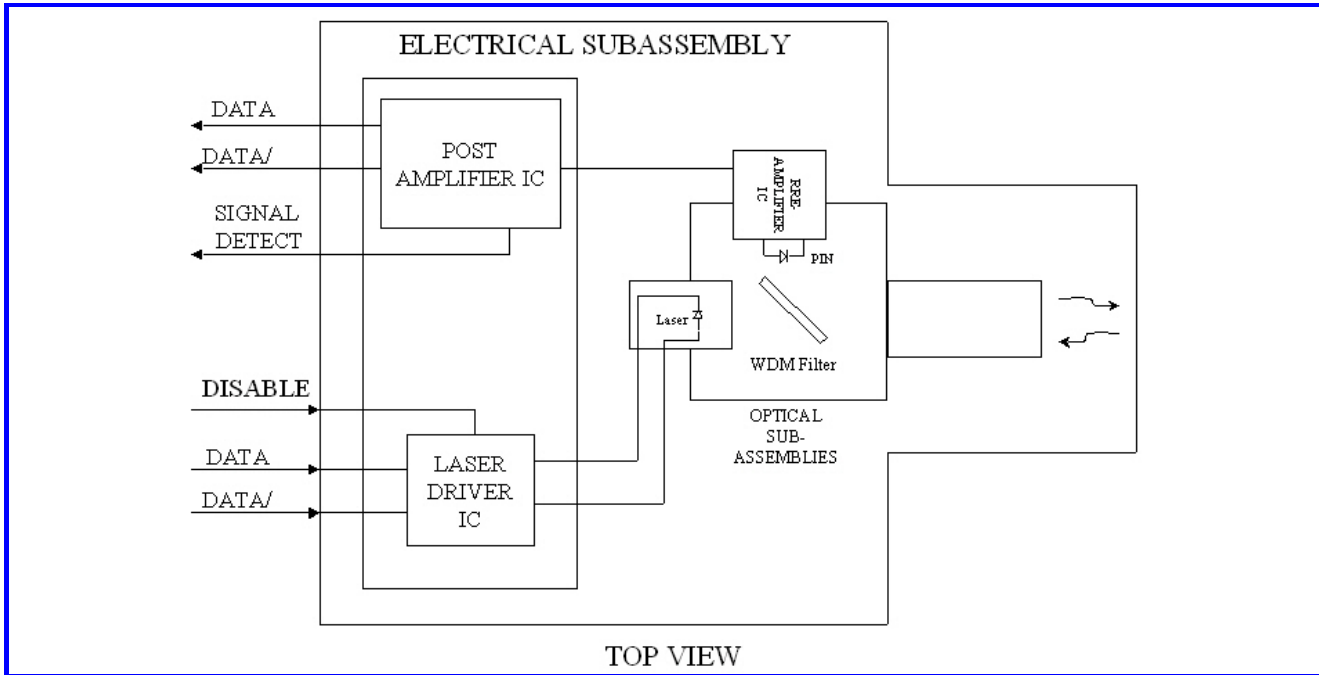
Note 1: The input data is at 155.52 Mbps, $2^{23}-1$ PRBS data pattern with 72 "1"s and 72 "0"s inserted per the ITU-T recommendation G.958 Appendix 1. The receiver is guaranteed to provide output data with Bit Error Rate (BER) better than or equal to 1×10^{-10} .

Note 2: These outputs are compatible with 10K, 10KH and 100K ECL and PECL input.



RoHS compliant
TX-1310/RX-1550 nm Single-mode Bi-directional (Single-Fiber) Transceiver
2×5 SC Simplex Connector, 3.3V (17dB Margin)
155 Mbps ATM/SONET OC-3/SDH STM-1/Fast Ethernet /
100Base-BX10-U/ITU-T G.985

Block Diagram of Transceiver



Transmitter and Receiver Optical Sub-assembly Section

A 1310 nm InGaAsP laser and an InGaAs PIN photodiode integrate with an WDM filter to form a bi-directional single fiber optical subassembly (OSA). The laser of OSA is driven by a LD driver IC which converts differential input LVPECL logic signals into an analog laser driving current. And, The photodiode of OSA is connected to a circuit providing post-amplification quantization, and optical signal detection.

Transmitter Disable

Transmitter Disable is a TTL control pin. To disable the module, connect this pin to +3.3 V TTL logic high "1". While, to enable module connect to TTL logic low "0".

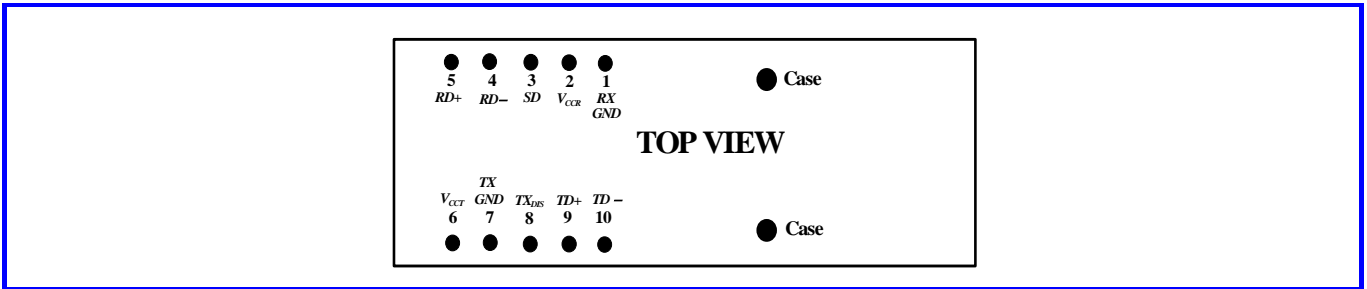
Receiver Signal Detect

Signal Detect is a basic fiber failure indicator. This is a single-ended LVPECL output. As the input optical power is decreased, Signal Detect will switch from high to low (deassert point) somewhere between sensitivity and the no light input level. As the input optical power is increased from very low levels, Signal Detect will switch back from low to high (assert point). The assert level will be at least 1.0 dB higher than the deassert level.



RoHS compliant
TX-1310/RX-1550 nm Single-mode Bi-directional (Single-Fiber) Transceiver
2×5 SC Simplex Connector, 3.3V (17dB Margin)
155 Mbps ATM/SONET OC-3/SDH STM-1/Fast Ethernet /
100Base-BX10-U/ITU-T G.985

Connection Diagram

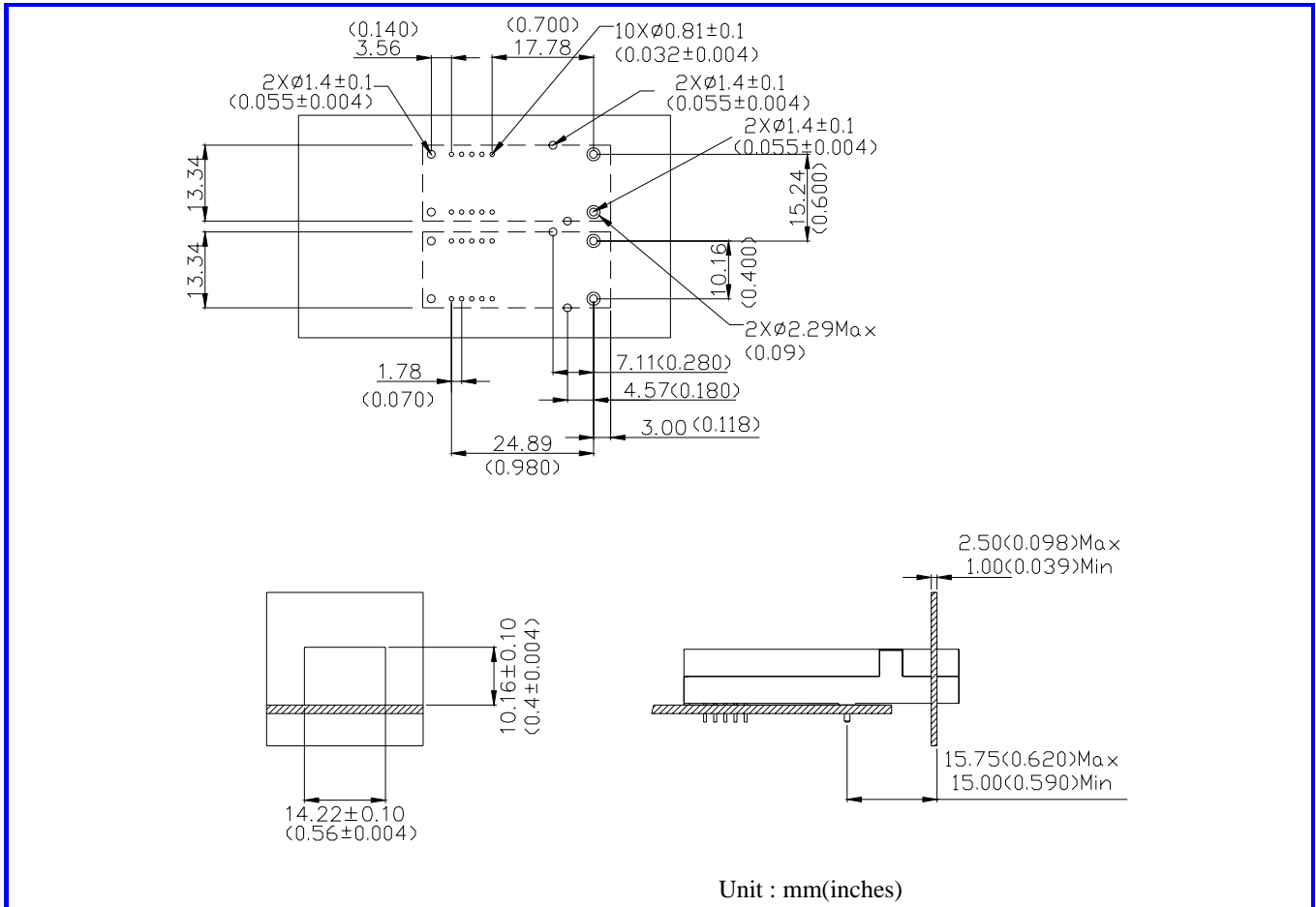


PIN	SYMBOL	DESCRIPTION
1	<i>RX GND</i>	Receiver Signal Ground, Directly connect this pin to the receiver ground plane.
2	<i>VCCR</i>	Receiver Power Supply Provide +3.3 Vdc via the recommended receiver power supply filter circuit. Locate the power supply filter circuit as close as possible to the <i>VCCR</i> pin.
3	<i>SD</i>	Signal Detect. Normal optical input levels to the receiver result in a logic “1” output, <i>V_{OH}</i> , asserted. Low input optical levels to the receiver result in a fault condition indicated by a logic “0” output <i>V_{OL}</i> , deasserted. Signal Detect is a single-ended LVPECL output. <i>SD</i> can be terminated with LVPECL techniques via 50Ω to <i>VCCR</i> – 2 V. Alternatively, <i>SD</i> can be loaded with a 180 Ω resistor to <i>RX GND</i> to conserve electrical power with small compromise to signal quality. If Signal Detect output is not used, leave it open-circuited. This Signal Detect output can be used to drive a LVPECL input on an upstream circuit, such as, Signal Detect input or Loss of Signal-bar.
4	<i>RD-</i>	<i>RD-</i> is an open-emitter output circuit. Terminate this high-speed differential LVPECL output with standard LVPECL techniques at the follow-on device input pin. (See recommended circuit schematic)
5	<i>RD+</i>	<i>RD+</i> is an open-emitter output circuit. Terminate this high-speed differential LVPECL output with standard LVPECL techniques at the follow-on device input pin. (See recommended circuit schematic)
6	<i>V_{CCT}</i>	Transmitter Power Supply Provide +3.3 Vdc via the recommended transmitter power supply filter circuit. Locate the power supply filter circuit as close as possible to the <i>V_{CCT}</i> pin.
7	<i>TX GND</i>	Transmitter Signal Ground Directly connect this pin to the transmitter signal ground plane. Directly connect this pin to the transmitter ground plane.
8	<i>TX_{DIS}</i>	Transmitter Disable Connect this pin to +3.3V TTL logic high “1” to disable transmitter. To enable module connect to TTL logic low “0” or open.
9	<i>TD+</i>	Transmitter Data In Terminate this high-speed differential LVPECL input with standard LVPECL techniques at the transmitter input pin. (See recommended circuit schematic)
10	<i>TD-</i>	Transmitter Data In-Bar Terminate this high-speed differential LVPECL input with standard LVPECL techniques at the transmitter input pin. (See recommended circuit schematic)



RoHS compliant
TX-1310/RX-1550 nm Single-mode Bi-directional (Single-Fiber) Transceiver
2x5 SC Simplex Connector, 3.3V (17dB Margin)
155 Mbps ATM/SONET OC-3/SDH STM-1/Fast Ethernet /
100Base-BX10-U/ITU-T G.985

Recommended Board Layout Hole Pattern



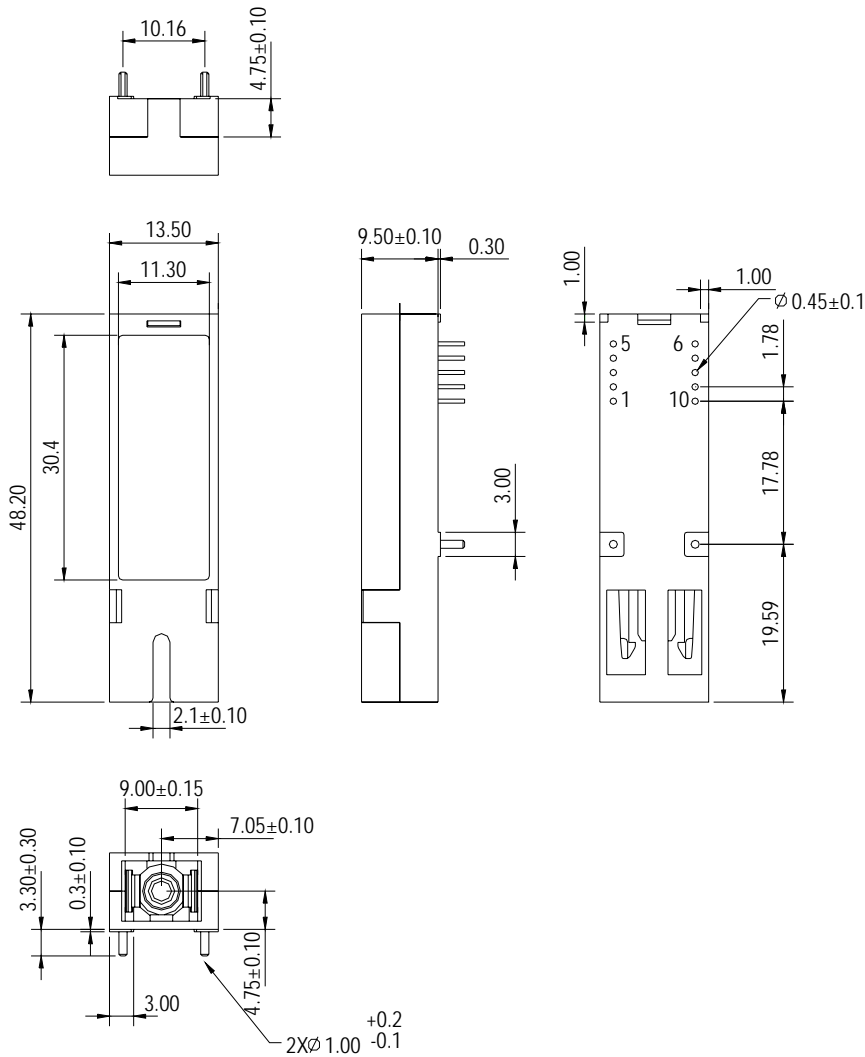
This transceiver is compatible with industry standard wave or hand solder processes. After wash process, all moisture must be completely remove from the module. The transceiver is supplied with a process plug to prevent contamination during wave solder and aqueous rinse as well as during handling, shipping or storage.

Solder fluxes should be water-soluble, organic solder fluxes. Recommended cleaning and degreasing chemicals for these transceivers are alcohol's (methyl, isopropyl, isobutyl), aliphatics (hexane, heptane) and other chemicals, such as soap solution or naphtha. Do not use partially halogenated hydrocarbons for cleaning/degreasing.



RoHS compliant
TX-1310/RX-1550 nm Single-mode Bi-directional (Single-Fiber) Transceiver
2x5 SC Simplex Connector, 3.3V (17dB Margin)
155 Mbps ATM/SONET OC-3/SDH STM-1/Fast Ethernet /
100Base-BX10-U/ITU-T G.985

Drawing Dimensions




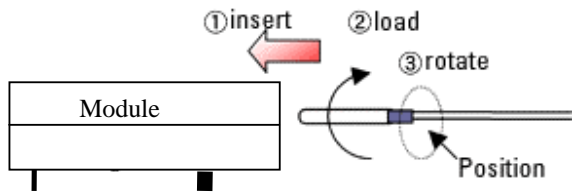
ALLDIMENSIONS ARE±0.20mm UNLESS OTHERWISE SPECIFIED
Unit : mm



RoHS compliant
TX-1310/RX-1550 nm Single-mode Bi-directional (Single-Fiber) Transceiver
2×5 SC Simplex Connector, 3.3V (17dB Margin)
155 Mbps ATM/SONET OC-3/SDH STM-1/Fast Ethernet /
100Base-BX10-U/ITU-T G.985

Optical Receptacle Cleaning Recommendations

All fiber stubs inside the receptacle portions were cleaned before shipment. In the event of contamination of the optical ports, the recommended cleaning process is the use of forced nitrogen. If contamination is thought to have remained, the optical ports can be cleaned using a NTT international Cletop® stick type and HFE7100 cleaning fluid. Before the mating of patchcord, the fiber end should be cleaned up by using Cletop® cleaning cassette.

Cleaning of patchcord	Cleaning of fiber stub
	 <ol style="list-style-type: none">1. Insert Ensure that stick is held straight when inserting into sleeve.2. Load Apply sufficient pressure (approx 600-700g) to ensure ferrule a little depressed in sleeve.3. Rotate Rotate stick clockwise 4-5 times, while ensuring direct contact with ferrule end-face is maintained. <p><i>Notice: Number of possible wipes: Maintenance (repair) ~1 use / piece Equipment construction: 4 uses / piece (max.)</i></p>

Note: The pictures were extracted from NTT-ME website. And the Cletop® is a trademark registered by NTT-ME



RoHS compliant
TX-1310/RX-1550 nm Single-mode Bi-directional (Single-Fiber) Transceiver
2×5 SC Simplex Connector, 3.3V (17dB Margin)
155 Mbps ATM/SONET OC-3/SDH STM-1/Fast Ethernet /
100Base-BX10-U/ITU-T G.985

Eye Safety Mark

The LSE series Single mode transceiver is a class 1 laser product. It complies with EN 60825-1 and FDA 21 CFR 1040.10 and 1040.11. In order to meet laser safety requirements the transceiver shall be operated within the Absolute Maximum Ratings.

Caution

All adjustments have been done at the factory before the shipment of the devices. No maintenance and user serviceable part is required. Tampering with and modifying the performance of the device will result in voided product warranty.

Required Mark

Class 1 Laser Product
Complies with
21 CFR 1040.10 and 1040.11

Note : All information contained in this document is subject to change without notice.